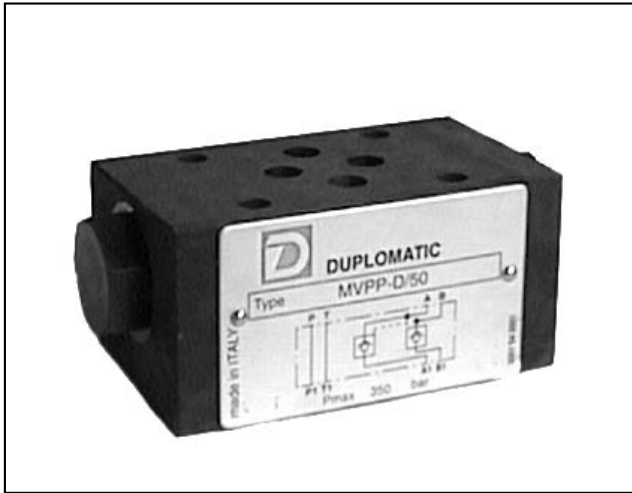




DIPLOMATIC
HYDRAULICS

65 250/104 ED



MVPP

PILOT OPERATED CHECK VALVE SERIES 50

MODULAR VERSION

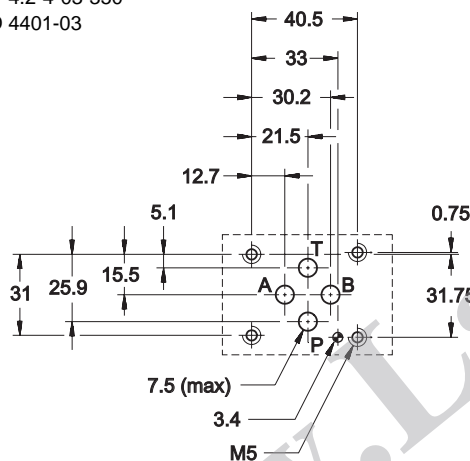
CETOP 03

p max 350 bar

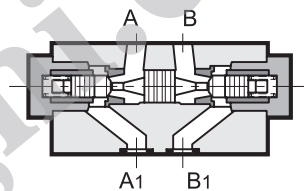
Q max (see performance ratings table)

MOUNTING INTERFACE

CETOP 4.2-4-03-350
ISO/CD 4401-03



OPERATING PRINCIPLE



- This is a hydraulic ally released check valve with spring closing and cone on edge seals. The mounting surface is according to the CETOP and ISO standards.
- Its use allows:
 - prevention of flow in one direction;
 - flow in the same direction, if opened by a pilot pressure;
 - free flow in the other direction.
- The MVPP valves are always mounted downstream of the CETOP 03 directional solenoid valves and can be assembled with all other CETOP 03 valves.

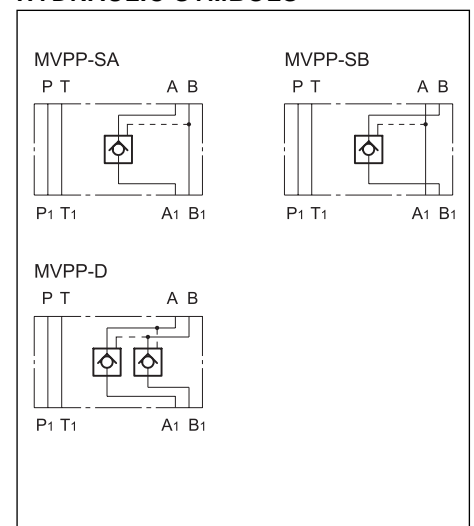
CONFIGURATIONS (see Hydraulic symbols table)

- Configurations "SA" - "SB": are used to lock the actuator in one direction.
- Configuration "D": is used to lock the position of the actuator in both directions.

PERFORMANCE RATINGS (measured with mineral oil of viscosity 36cSt at 50°C)

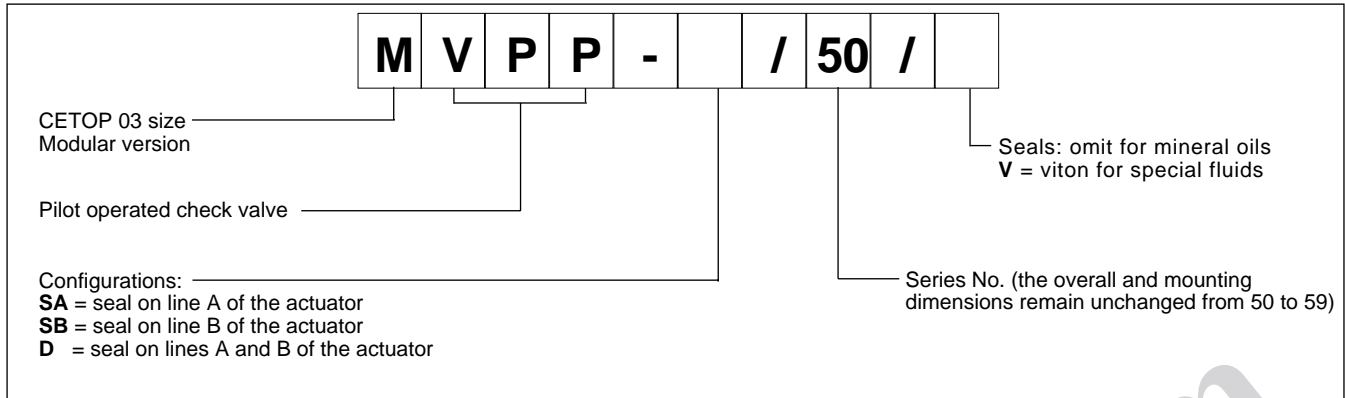
Maximum operating pressure	bar	350
Maximum flow rate in the controlled lines	l/min	50
Maximum flow rate in the free lines	l/min	75
Ratio between the pressure in the locked chambers and the piloting pressure		3,4 : 1
Check valve cracking pressure	bar	3
Ambient temperature range	°C	-20 ÷ +50
Fluid temperature range	°C	-20 ÷ +80
Fluid viscosity range	cSt	10 ÷ 400
Recommended viscosity	cSt	25
Degree of fluid contamination	According to NAS 1638 class 10	
Mass	kg	1,3

HYDRAULIC SYMBOLS

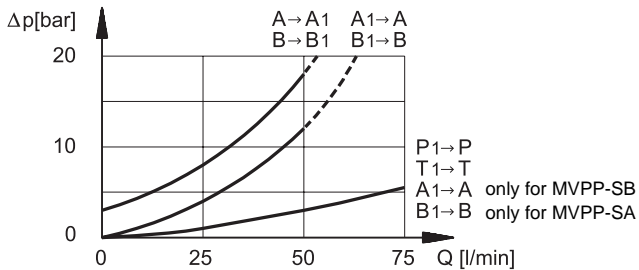




1 - IDENTIFICATION CODE



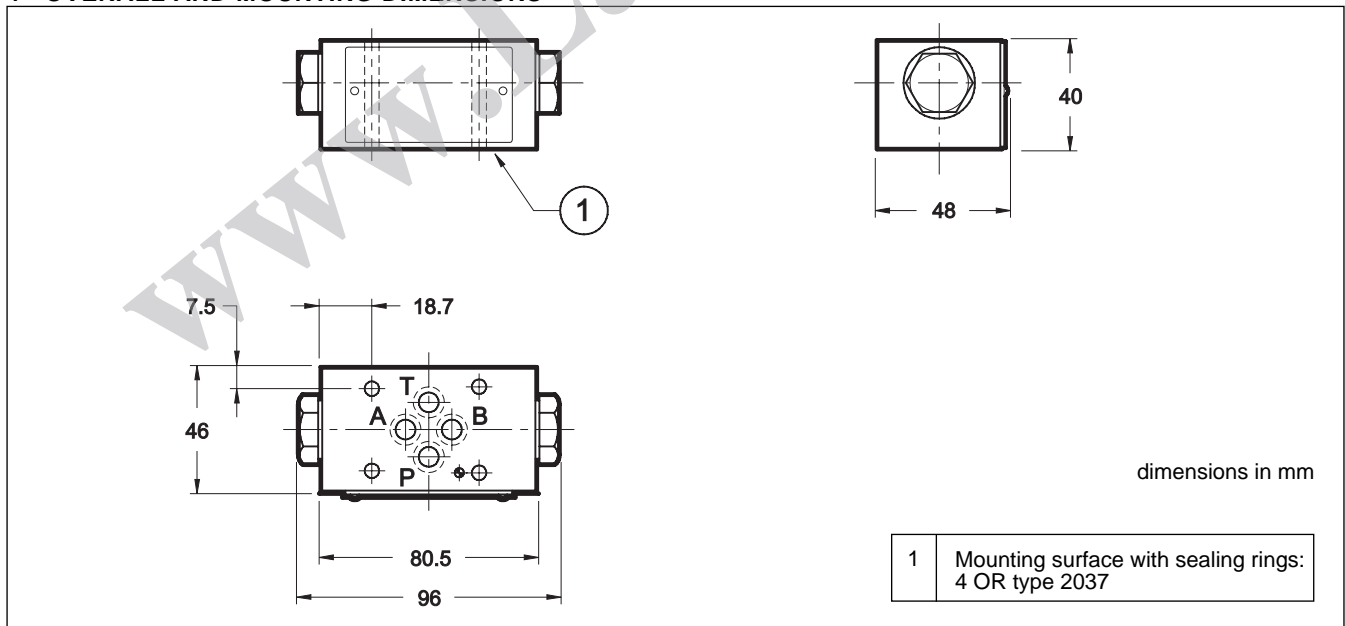
2 - CHARACTERISTIC CURVES (values obtained with viscosity of 36 cSt at 50°C)



3 - HYDRAULIC FLUIDS

Use mineral oil-based hydraulic fluids, with the addition of suitable anti-frothing and anti-oxidizing agents. For the use of other types (water glycol, phosphate esters and others), please consult our technical department.

4 - OVERALL AND MOUNTING DIMENSIONS



DIPLOMATIC OLEODINAMICA SpA
 20025 LEGNANO (MI) - P.le Bozzi, 1 / Via Edison
 Tel. 0331/472111 - Fax 0331/548328